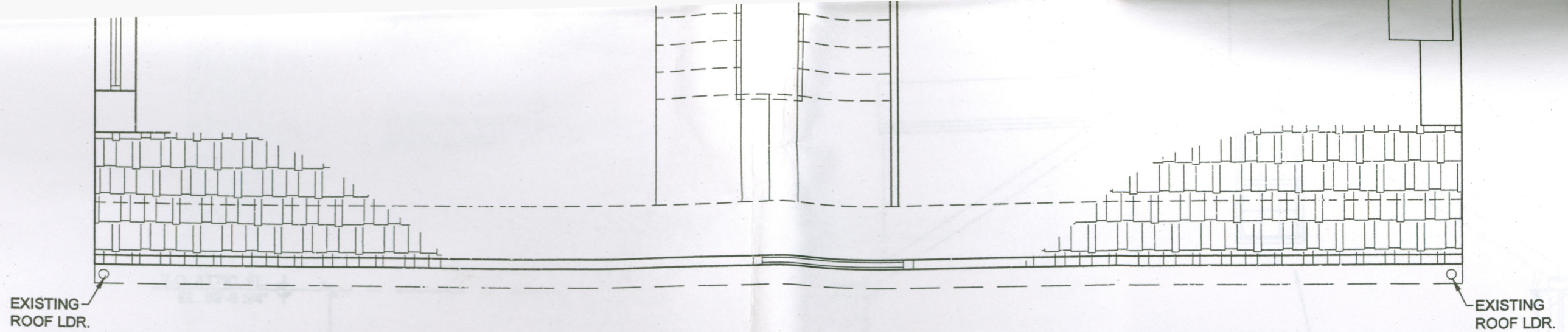
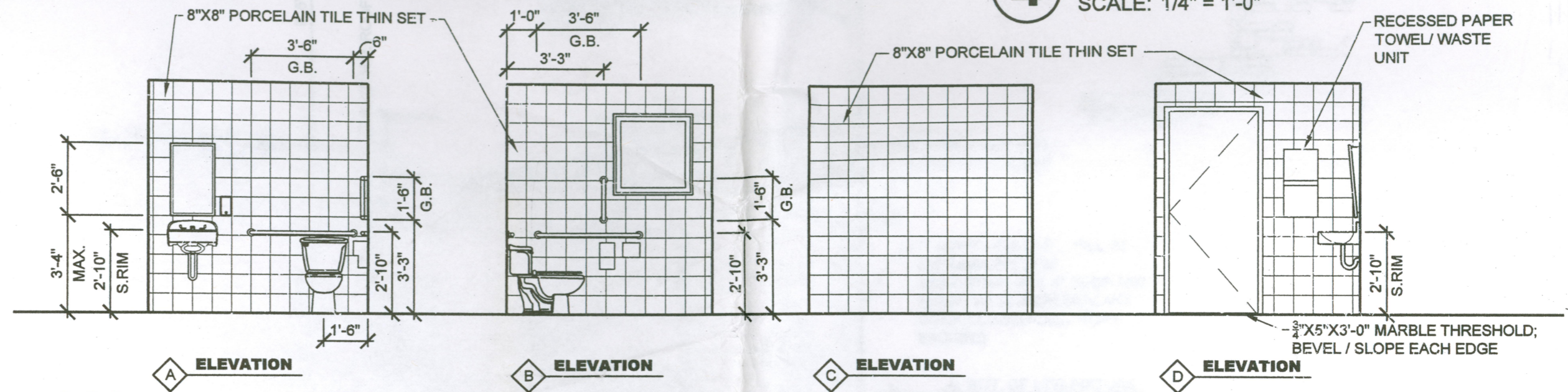


Drawing name: P:\2006-060\Drawings\Condos\Floorplans\A100.dwg Plotted By: JMACKEY Jan 29, 2006 - 10:55am

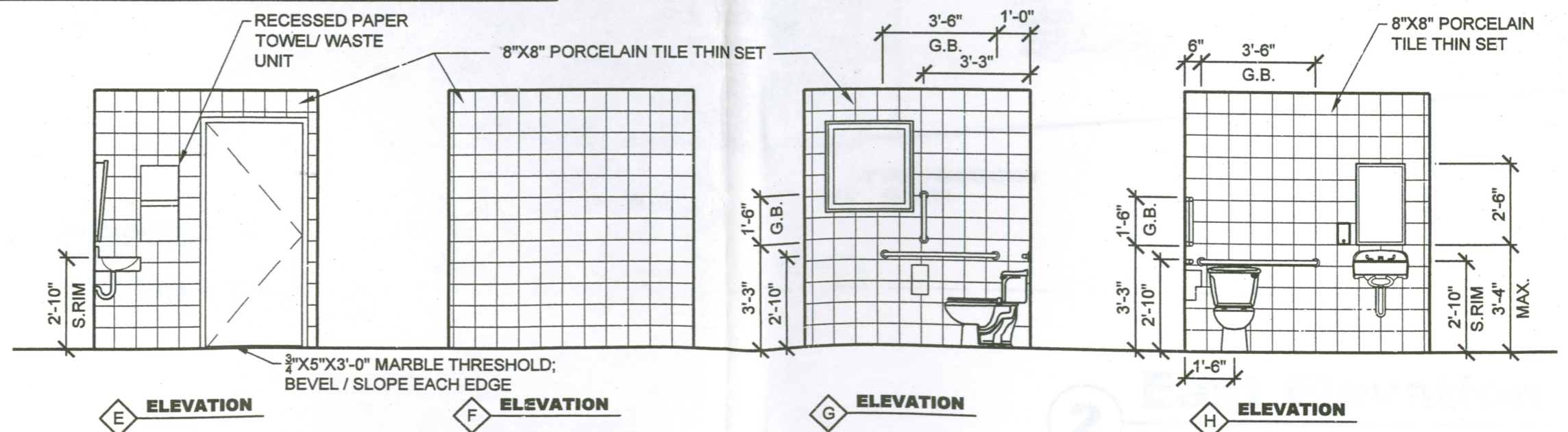


4 Existing Attic Plan

SCALE: 1/4" = 1'-0"



Womens Restroom



Mens Restroom

Interior Elevations

SCALE: 1/4" = 1'-0"
 NOTE: ABBREVIATIONS
 S = SINK
 G.B. = GRAB BAR